

PAR36 Lighthouse Manual



picture may differ from actual product

- RED:** To +VDC (fuse @ 3A)
- BLACK:** To Chassis Ground (-)
- WHITE:** For Simultaneous or Alternating Flash
Group1 Heads: (Wiring- WHITE connected to RED) will flash together
Group2 Heads: (Wiring- WHITE not connected to RED) will flash together
Group1 Heads will alternate with Group2 Heads
- YELLOW:** For Flash patterns & Synchronization
Connect YELLOW wires of all heads together for synchronization
*All heads must be set at same pattern (refer to FLASH PATTERNS chart)

WARNING: Do not look directly into the LEDs while in operation. May cause momentary blindness and/or eye damage.

FLASH PATTERNS

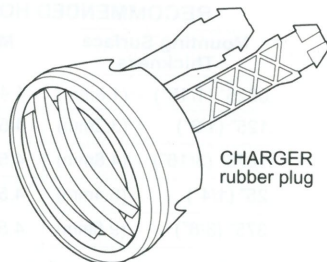
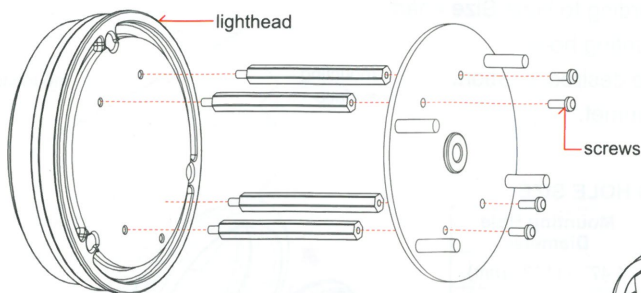
Momentarily apply **+VDC** to **YELLOW** wire:

- Once for next pattern
- Quickly 3 times for reset to FP#0

FP#	FLASH PATTERNS		
0	Random	6	Quad
1	Steady	7	Quint
2	Single	8	Ultra
3	Mega	9	Single-Quad
4	Double	10	Single H/L
5	Triple	11	Single-Triple-Quint

Note: This unit is not factory set at FP#0

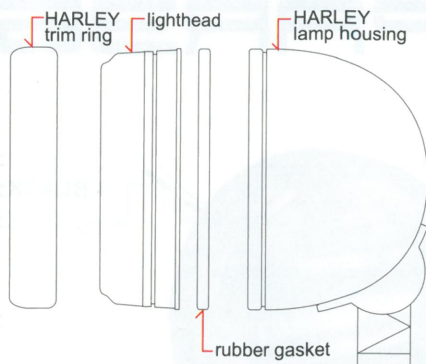
CHARGER mount



1. Remove front splash guard from vehicle.
2. Remove fog light or rubber plug from vehicle.
4. Route wires to desired location.
3. Secure lighthouse with existing holes of vehicle.

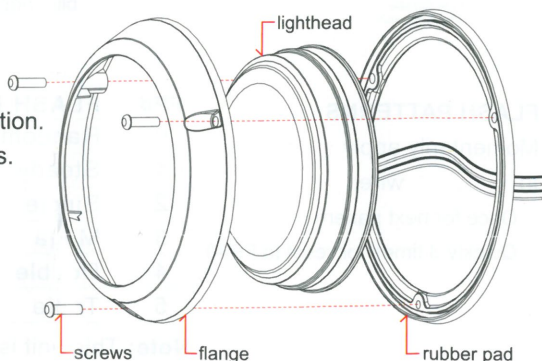
HARLEY mount

1. Remove trim ring from fog light assembly.
2. Remove fog lamp & retaining ring.
3. Attach gasket onto lighthouse.
4. Connect wires of lighthouse with existing wires.
5. Insert lighthouse & secure trim ring.



SURFACE mount

1. Drill screw holes on mounting surface according to Flange holes.
2. Connect & route wires to desired location.
3. Secure lighthouse with supplied screws.



GROMMET mount

1. Drill mounting hole according to Hole Size chart.
2. Insert grommet into mounting hole.
3. Connect & route wires to desired location.
4. Insert lighthouse into grommet.

RECOMMENDED HOLE SIZE

Mounting Surface Thickness	Mounting Hole Diameter
.0625" (1/16") - (1.6mm)	4.47" - (113.5mm)
.125" (1/8") - (3.2mm)	4.50" - (114.3mm)
.1875" (3/16") - (4.8mm)	4.50" - (114.3mm)
.25" (1/4") - (6.4mm)	4.53" - (115.1mm)
.375" (3/8") - (9.5mm)	4.56" - (115.8mm)

Note: This may vary depending on mounting surface.

